

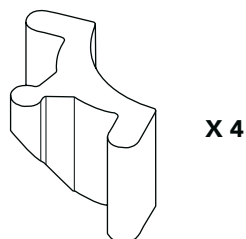
## INSTALLATION INSTRUCTIONS FOR THE WINDOW CLIPS

**WARNING:** MAKE SURE POWER IS OFF BEFORE STARTING THE INSTALLATION.

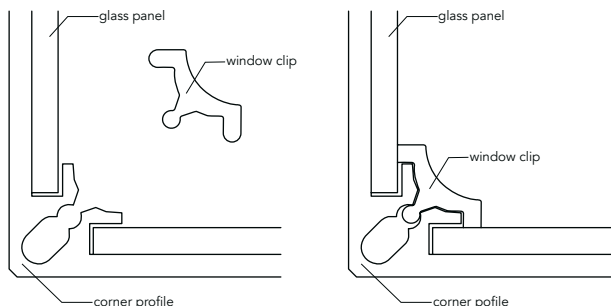
**NOTE:** Remove the 2 assembly screws from the luminaire body or hat and put glass panels or diffuser in place (see below). Apply a lubricant to screws to prevent oxidation and ensure easy future disassembly. Assemble the luminaire and install it.

### INSTALLATION OF WINDOW CLIPS

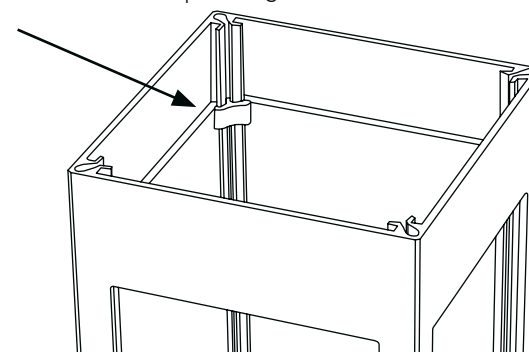
1. The provided window clips have been designed to apply pressure on the glass panels



2. After having inserted the glass panels, push the window clips into the corner profiles.



3. Insert a window clip on each of the 4 corners of the light fixture near the top of the glass.



### WALL, CHAIN AND PEDESTAL MOUNTS

#### A SINGLE CROSSBAR FOLLOW STEPS 1, 2, 6 AND 7

1. Make sure a ground wire is solidly attached under the ground screw provided with the crossbar (*Figure 1*). When a ground wire is provided with the luminaire, make sure it is connected to the supply ground wire.
2. For single crossbar, attach crossbar A to junction box (*Figure 1*). Screw provided threaded nipple in the tapped hole in the center of the crossbar. Proceed to step 6.
3. For double crossbar, attach crossbar A to junction box (*Figure 1*). Attach crossbar B to crossbar A with center screw provided (*Figure 2*). Align horizontally the 2 tapped holes (Shown in black) and tighten center screw until crossbar B can no longer rotate. Proceed to step 5.
4. For round crossbar, attach crossbar C to junction box (*Figure 3*). Proceed to step 5.
5. Screw the 3 threaded studs provided into the crossbar 2 tapped holes shown in black at *Figure 2* (double crossbar) or at *Figure 3* (round crossbar). The 2 studs should be 2 3/4" or 3 1/2" center to center, but this distance may vary. Check the distance between holes on the luminaire mounting plate. (Wedge anchors not provided for certain pedestals.)
6. Connect supply leads from junction box to luminaire leads. Use CSA/UL certified wire connectors (not included). Tuck connections into junction box. Slip threaded nipple (single crossbar) or threaded studs (double or round crossbar) into the hole(s) of the luminaire mounting plate (*Figure 4*). Tighten with provided battery nut(s).
7. Make sure luminaire is properly aligned. If mounting surface is uneven, place shims under the mounting plate and seal with silicone compound.

#### FOR LUMINAIRES WITH A DOUBLE CROSSBAR FOLLOW STEPS 1, 3, 5, 6 AND 7

#### A ROUND CROSSBAR FOLLOW STEPS 1, 4, 5, 6 AND 7

### POLE MOUNT

1. Mount cable bracket (provided with ground screw) inside luminaire base (*Figure 5*).
2. Mount cable connector (not supplied) on cable bracket.
3. Tighten supply cable on the connector.
4. Connect supply ground wire under ground screw.
5. Connect fixture wires to supply wires using CSA/UL certified wire nuts (not supplied).
6. Slip luminaire base over the pole. Tighten the 3 set screws.

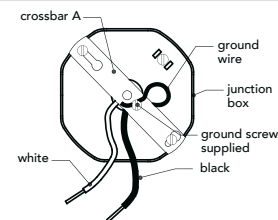


figure 1

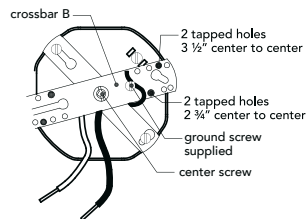


figure 2

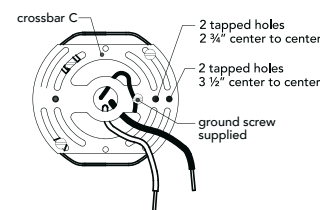


figure 3

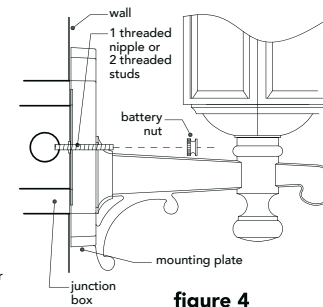


figure 4

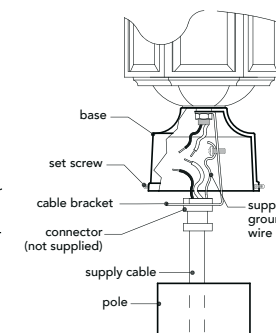


figure 5